

SPINE E PRESE SERIE 3PX4 - 3PX5

3PX CAM ASSISTED CONNECTORS / CONECTORES ASISTIDOS POR LEVAS



This design incorporates a cam device with automatic socket cover and provides simple and quick mating and unmating. It is ideal for applications which require frequent coupling or where vibration may be a problem.

An angled plug is supplied as a standard.

On request we can supply straight plug (15° angled)

MAXIMUM VOLTAGE: 3,3 KV AC
6KV special models: technical details on request

TEST VOLTAGE:

3PX4 > 10 kV 50 Hz 1 min.

3PX5 > 13 kV 50 Hz 1 min.

Nominal amperage: see tables

Contact resistance: < 1 m Ω

Protection index: IP577 standard

BUILT TO SPEC:

N.F.C 63300 - CEI 309-1 (where applicable)

Este diseño incorpora un dispositivo de levas con una cubierta de toma automática y provee un acoplado y desacoplado simple y rápido. Es ideal para aplicaciones que requieren acoplamientos frecuentes o donde las vibraciones pueden resultar un problema. Se provee un enchufe en ángulo de serie. Sobre demanda podemos suministrar enchufe salida recta (15°).

VOLTAJE MÁXIMO: 3,3 KV AC
6KV sobre demanda datos tecnicos para configuraciones especiales 6KV

VOLTAJE PRUEBA:

3PX4 > 10 kV 50 Hz 1 min.

3PX5 > 13 kV 50 Hz 1 min.

Corriente nominal: ver tablas

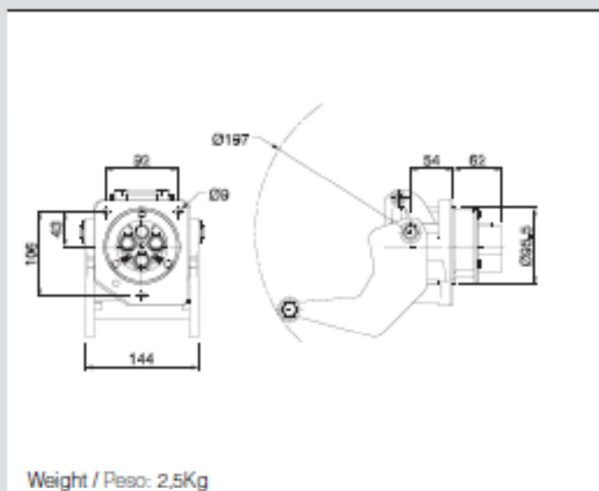
Resistencia de contacto: < 1 m Ω

Índice de protección: estándar IP577

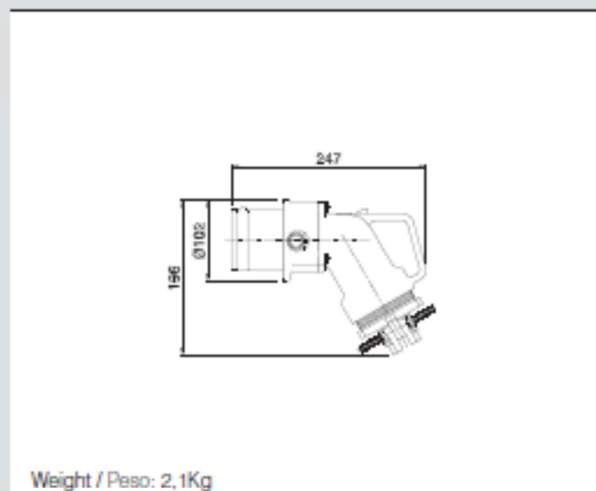
FABRICADO SEGÚN LAS NORMAS:

N.F.C. 63300 - CEI 309-1 (cuando corresponda)

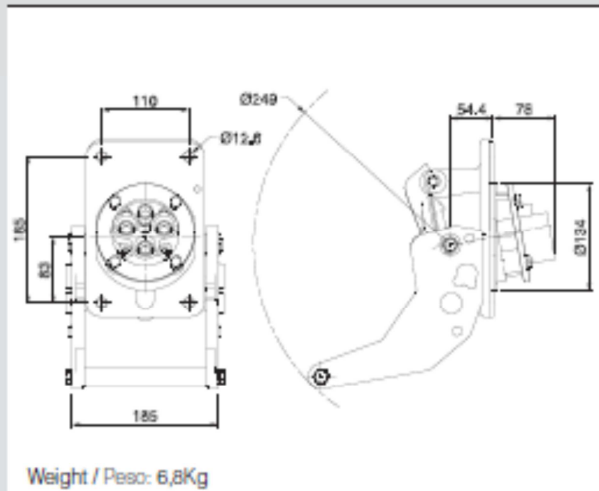
> 3PX4 - PANEL MOUNTING SOCKET /



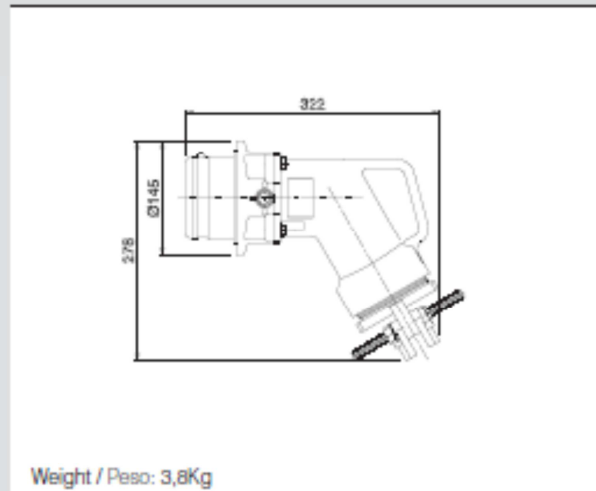
> 3PX4 - PLUG / ENCHUFE 3PX4



**> 3PX5 - PANEL MOUNTING SOCKET /
TOMA SEMI-EMPOTRADA 3PX5**





> 3PX5 - PLUG / ENCHUFE 3PX5



3PX4

> PANEL MOUNTING SOCKET / TOMA SEMI-EMPOTRADA

| Contacts / Contactos | | Cable size (mm ²) / Sección de cable (mm ²) | | Cable / Cable |  |  |
|----------------------|-------------|---|------------------|---------------|---|---|
| Number / Número | Amps / Amps | (▲) Main / Principal | Pilots / Pilotos | O.D.MM | Supply part (Male IP2 contact) | Receiver part (Female contact) |
| 2P + E + 2p | 250 | 50 | 10 | - | 899.331.201.N | 899.331.210.N |
| | | 70 | 10 | - | 899.331.202.N | 899.331.211.N |
| 3P + E + 2p | 250 | 50 | 10 | - | 899.331.204.N | 899.331.213.N |
| | | 70 | 10 | - | 899.331.205.N | 899.331.214.N |
| 4P + E + 2p | 250 | 35 | 6 | - | 899.331.206.N | 899.331.215.N |
| | | 50 | 6 | - | 899.331.207.N | 899.331.216.N |
| | | 70 | 6 | - | 899.331.208.N | 899.331.217.N |



P: main poles / polos principales

p: pilot pins / contactos piloto

E: earth contact / contacto a tierra

(▲): other cable sections on request / secciones de cable sobre demanda diferentes

> PLUG / ENCHUFE

| Contacts / Contactos | | Cable size (mm ²) / Sección de cable (mm ²) | | Cable(*) / Cable(*) |  |  |
|----------------------|-------------|---|------------------|---------------------|---|---|
| Number / Número | Amps / Amps | (▲) Main / Principal | Pilots / Pilotos | O.D.MM | Receiver part (Female contact) | Supply part (Male IP2 contact) |
| 2P + E + 2p | 250 | 50 | 10 | 32-42 | 899.331.219.N | 899.331.228.N |
| | | 70 | 10 | 43-54 | 899.331.220.N | 899.331.229.N |
| 3P + E + 2p | 250 | 50 | 10 | 32-42 | 899.331.222.N | 899.331.231.N |
| | | 70 | 10 | 43-54 | 899.331.223.N | 899.331.232.N |
| 4P + E + 2p | 250 | 35 | 6 | 32-42 | 899.331.224.N | 899.331.233.N |
| | | 50 | 6 | 32-42 | 899.331.225.N | 899.331.234.N |
| | | 70 | 6 | 43-54 | 899.331.226.N | 899.331.235.N |

(*) Note: max. cable O.D. - 80mm. / Nota: D.E. máx. Cable - 80mm

P: main poles / polos principales



p: pilot pins / contactos piloto

E: earth contact / contacto a tierra

(▲): other cable sections on request / secciones de cable sobre demanda diferentes

3PX5

> PANEL MOUNTING SOCKET / TOMA SEMI-EMPOTRADA

| Contacts / Contactos | | Cable size (mm ²) / Sección de cable (mm ²) | | Cable / Cable |  |  |
|----------------------|-------------|---|------------------|---------------|--|---|
| Number / Número | Amps / Amps | ▲ | | O.D.MM | Supply part (Male IP2 contact) | Receiver part (Female contact) |
| | | Main / Principal | Pilots / Pilotos | | | |
| 2P + E + 2p | 400 | 95 | 10 | - | 899.330.467.N | 899.330.471.N |
| | | 120 | 10 | - | 899.330.469.N | 899.330.473.N |
| | | 150 | 10 | - | 899.331.280.N | 899.331.283.N |
| 3P + E + 2p | 400 | 95 | 10 | - | 899.330.135.N | 899.330.475.N |
| | | 120 | 10 | - | 899.330.144.N | 899.330.477.N |
| | | 150 | 10 | - | 899.331.281.N | 899.331.284.N |
| 4P + E + 2p | 320 | 95 | 6 | - | 899.330.479.N | 899.330.483.N |
| | | 120 | 6 | - | 899.330.162.N | 899.330.481.N |
| | | 150 | 6 | - | 899.331.282.N | 899.331.285.N |



P: main poles / polos principales

p: pilot pins / vestagos piloto

E: earth contact / contacto a tierra

▲: other cable sections on request / secciones de cable sobre demanda diferentes

> PLUG / ENCHUFE

| Contacts / Contactos | | Cable size (mm ²) / Sección de cable (mm ²) | | Cable(*) / Cable(*) |  |  |
|----------------------|-------------|---|------------------|---------------------|--|---|
| Number / Número | Amps / Amps | ▲ | | O.D.MM | Receiver part (Female contact) | Supply part (Male IP2 contact) |
| | | Main / Principal | Pilots / Pilotos | | | |
| 2P + E + 2p | 400 | 95 | 10 | 45-55 | 899.330.466.N | 899.330.470.N |
| | | 120 | 10 | 45-55 | 899.330.468.N | 899.330.472.N |
| | | 150 | 10 | 52-62 | 899.331.286.N | 899.331.289.N |
| 3P + E + 2p | 400 | 95 | 10 | 45-55 | 899.330.134.N | 899.330.474.N |
| | | 120 | 10 | 52-62 | 899.330.143.N | 899.330.476.N |
| | | 150 | 10 | 52-62 | 899.331.287.N | 899.331.290.N |
| | | 150 | 10 | 63-76 | 899.331.425.N | 899.331.424.N |
| 4P + E + 2p | 320 | 95 | 6 | 52-62 | 899.330.478.N | 899.330.482.N |
| | | 120 | 6 | 52-62 | 899.330.161.N | 899.330.480.N |
| | | 150 | 6 | 52-62 | 899.331.288.N | 899.331.291.N |
| | | 150 | 6 | 63-76 | 899.331.427.N | 899.331.426.N |

(*) Note: max. cable O.D. - 80mm. / Nota: D.E. máx. Cable - 80mm

P: main poles / polos principales

p: pilot pins / vestagos piloto

E: earth contact / contacto a tierra

▲: other cable sections on request / secciones de cable sobre demanda diferentes