

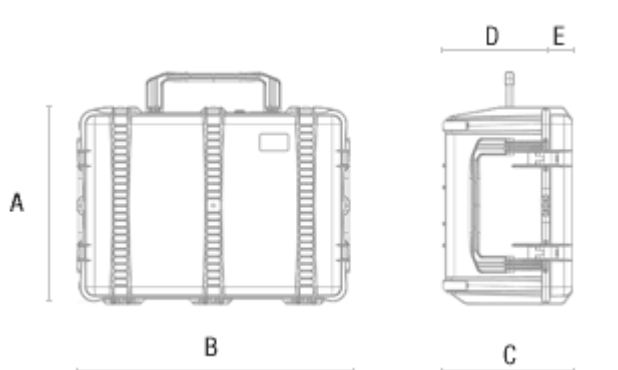
Presenti su Mercato Elettronico della P.A.

web: www.elgaitalia.com - socio CEI 05085 - Codice NATO Costr: / Forn. (N/CAGE): **AD 010**

P.IVA 01868240464 - Cod. Fisc. GLL FNC 53P02 L833R - Iscr. C.C.I.A.A. Lucca n°177644

Magazzino - Officina - Tel./Fax. +39 0584 617951 - via Mincio n° 67 - 55043 Lido di Camaioere (LU)

Case mod 142L



	A	B	C	D	E
internal	525mm	745mm	366mm	293mm	73mm
	20,66"	29,33"	14,40"	6,30"	1,77"
external	585mm	810mm	388mm		
	23,00"	31,86"	15,27"		



weight

empty: 12,2 kg / 26,89 lbs

☀ temperature rating

Minimum: -40°C -32°F

Maximum: +80°C +176°F

✓ approvals

ATA 300, IP67, STANAG 4280, DS 81-41

⊕ tests

DROP / IMPACT / HANDLE / WATERTIGHT / INTEGRITY / UV COLOR AND MATERIAL PROTECTION

⊗ materials

TTX01 / PA66 / SEBS / PA66GF30 / ALU / Stainless Steel